

Style: Single-Use, 4way
DoubleFace Non-reversible, Uni-directional B...

Lumber: **Acceptable Lumber Species:**
100% Chilean Radiata Pine

Min Part Grade Standard & Better

Max Moisture Content: 19%

Nails: (27 Mat fasteners, 51 nails)

Length: _____

Gauge: _____

Type: _____

Point: _____

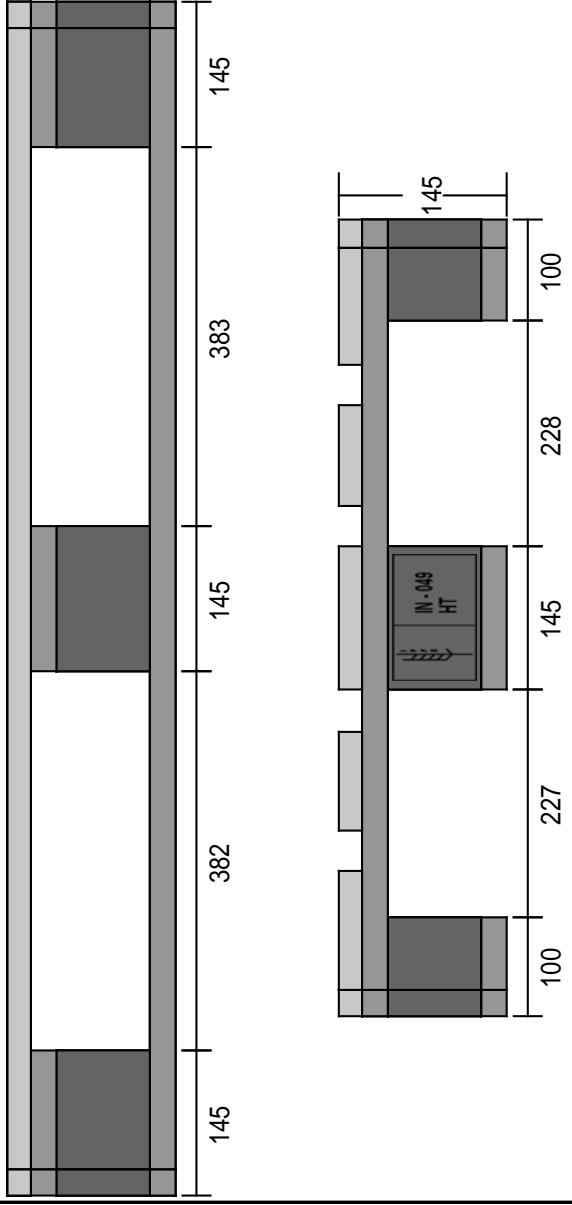
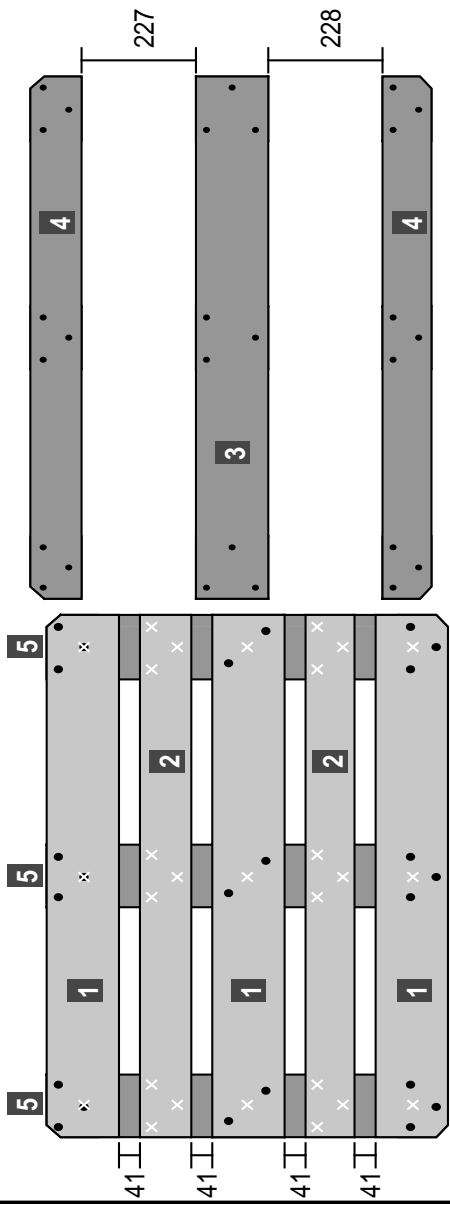
* or equivalent

Dimensional Tolerance:

Out of Square deviation 6 mm
(12 mm Difference in diagonals).
Overall Length & Width deviation + or - 5 mm.
Overall pallet height deviation + or - 3 mm.
Pallets shall lie flat at all points within 12 mm.

Notes: (lengths in millimeters)

1. ISPM 15 Compliant – Heat Treated (HT)
2. _____
3. _____
4. _____



Deckboards		Stringers Boards		Blocks	
Item	Qty.	Item	Qty.	<W>	Dimensions
1	3	5	3	3	145L x 145W x 80H
2	2			6	100L x 145W x 80H
3	1				
4	2				

Approved _____

Version No. _____

ID. _____

Drawing No. _____

Pallet Specifications

Best Pallet Version 3.8.0h



Prepared By: PALLETS RECYCLE DRWNG

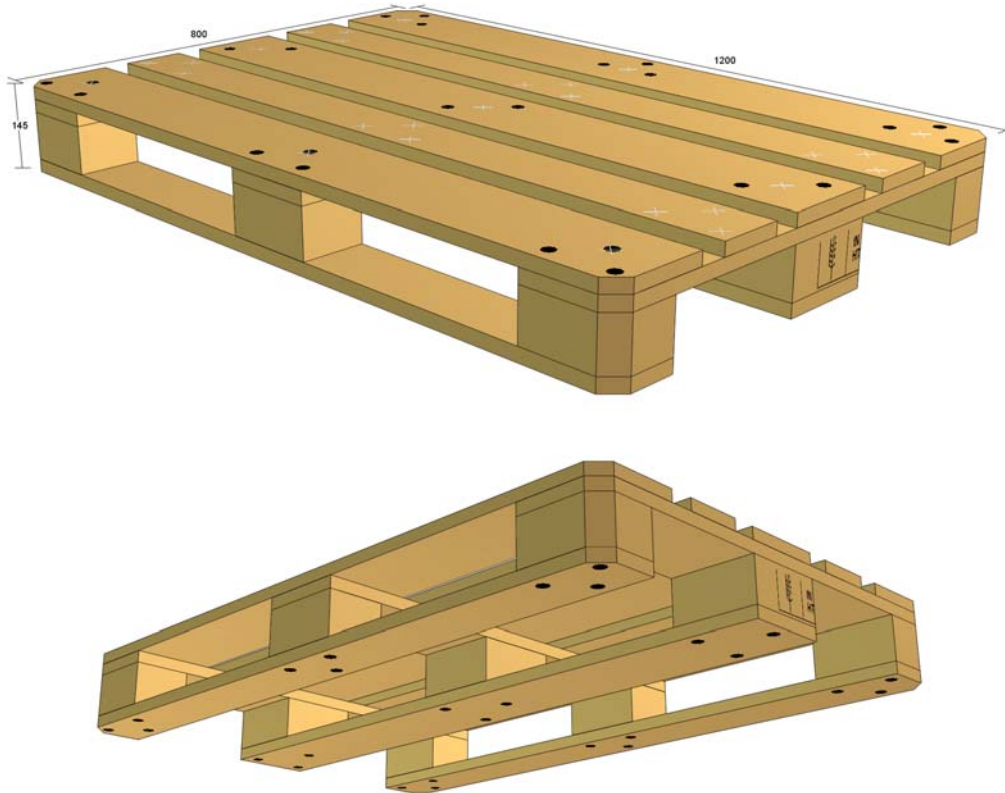
Company: EPAL PALLET 1200X800X144MM

Analysis ID:

Address:

Date:

Pallet Information: 800 mm L x 1200 mm W, Weight - 24.0 kg Heat Treated, Single-Use
Pallet Description: 4way, DoubleFace, Non-reversible, Block pallet, Clipped Corners



Components

Top Deckboards(mm)				Uni-directional Boards(mm)			
Boards	Thickness	Width	Length	Boards	Thickness	Width	Length
3	21	145	1200	1	22	145	1200
2	21	100	1200	2	22	100	1200
Top Stringer Boards(mm)				All Parts 0.0448 cu m using one species class 100% Chilean Radiata Pine (CRP) Standard & Better grade 19% moisture content			
Boards	Thickness	Width	Length				
3	22	145	800				
Pallet Blocks(mm)				ISPM 15 Compliant – Heat Treated (HT)			
Blocks	Height	Width	Length				
3	80	145	145				
6	80	145	100				
Nail count:51		Mat fastener count:27					
Notes:							
1.				3.			
2.				4.			

Lumber Cut List

Best Pallet Version 3.8.0h



Prepared By: PALLETS RECYCLE DRWNG

Company: EPAL PALLET 1200X800X144MM

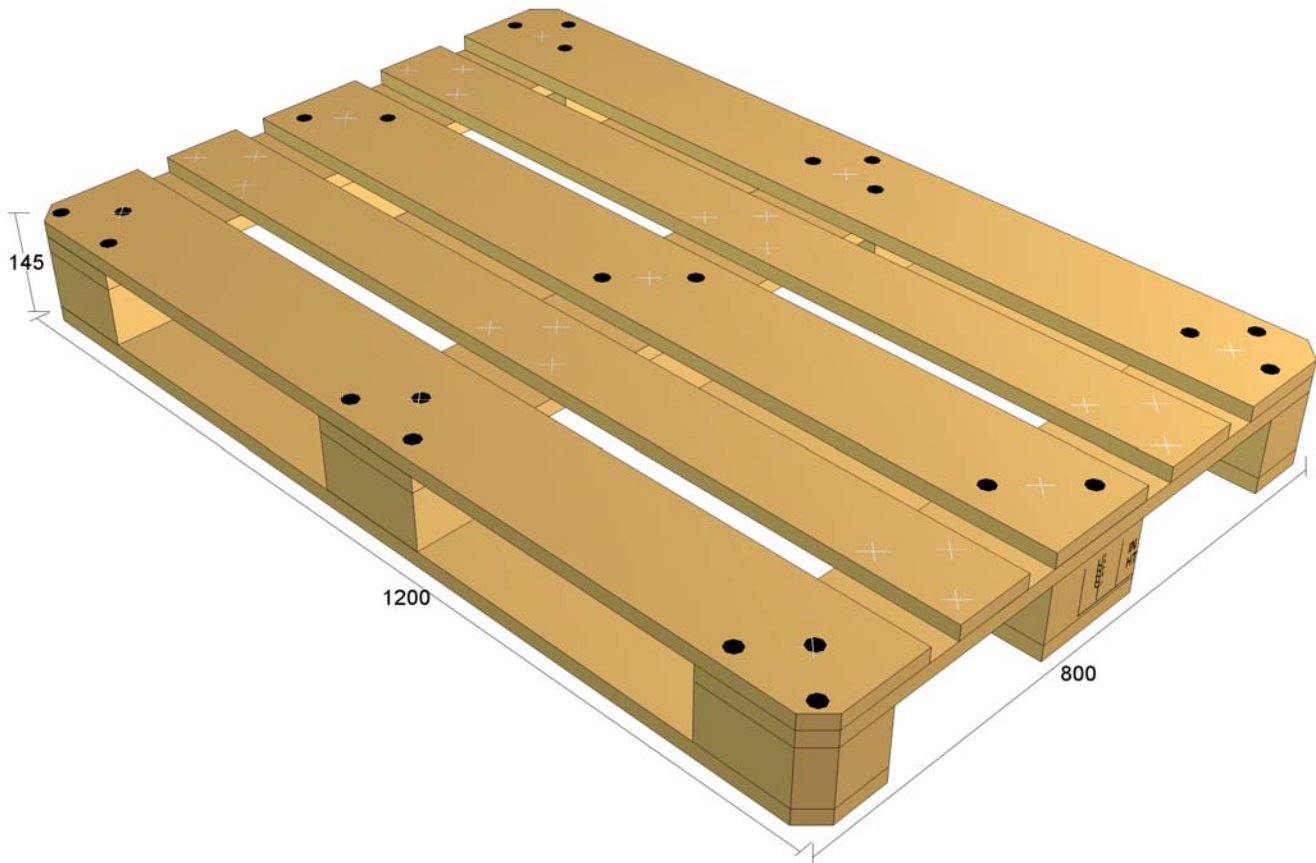
Analysis ID:

Address:

Date:

Pallet Information: 800 mm L x 1200 mm W, Weight - 24.0 kg Heat Treated, Single-Use

Pallet Description: 4way, DoubleFace, Non-reversible, Block pallet, Clipped Corners



Identification:

Cut List for 1 Pallet

dimensions in millimeters

Component	Width	Thick	Length	Species	Grade	MC	Count	Total bd ft volume
Top Deck	145	21	1200	CRP	Standard & Better	19%	3	4.6
Top Deck	100	21	1200	CRP	Standard & Better	19%	2	2.1
Unidirectional	145	22	1200	CRP	Standard & Better	19%	1	1.6
Unidirectional	100	22	1200	CRP	Standard & Better	19%	2	2.2
Top Stringer	145	22	800	CRP	Standard & Better	19%	3	3.2
Blocks	145	80	145	CRP	Standard & Better	19%	3	2.1
Blocks	145	80	100	CRP	Standard & Better	19%	6	2.9
Total							20	18.97

Nail count:51

Mat fastener count:27

ISPM 15 Compliant – Heat Treated (HT)

Pallet Analysis

Best Pallet Version 3.8.0h



Prepared By: PALLETS RECYCLE DRWNG

Company: EPAL PALLET 1200X800X144MM

Analysis ID:

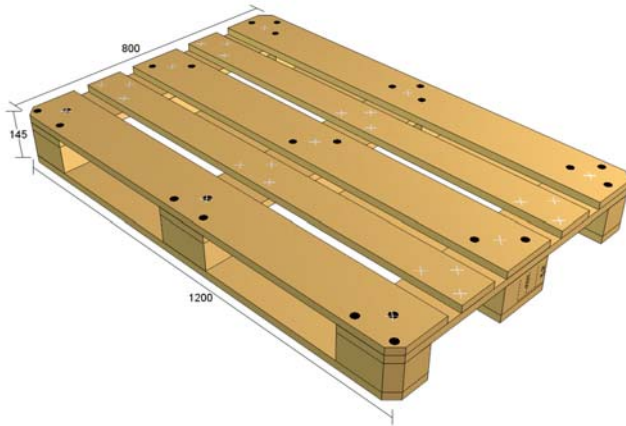
Address:

Date:

Pallet Information: 800 mm L x 1200 mm W, Weight - 24.0 kg Heat Treated, Single-Use

Pallet Description: 4way, DoubleFace, Non-reversible, Block pallet, Clipped Corners

Pallet Lumber: Chilean Radiata Pine (CRP)



Analysis Summary

Required Payload: **0.0 kg**

Predicted Maximum Safe Load: **5280.3 kg**

Load Variability: **Medium**

Analysis

Storage and Handling Conditions	Predicted Maximum Safe Load (kg)	Initial Average Deflection (mm)	Critical Member
Forktine Parallel to Length	5280	7	Top Deckboard
Stacked 1 High	8539	5	Top Deckboard

Forktine: spacing = 473 length = 1067 and width = 127

Disclaimer: The performance estimates of Best Pallet represent the best available engineering information compiled to date. However, the quality of workmanship, the input data, and the conditions in which pallets are used may vary widely. Therefore, White & Company, LLC cannot accept responsibility for pallet performance or design as actually constructed. Performance estimates from Best Pallet should be verified by testing of prototypes prior to implementation.



Prepared By: PALLETS RECYCLE DRWNG

Company: EPAL PALLET 1200X800X144MM

Analysis ID:

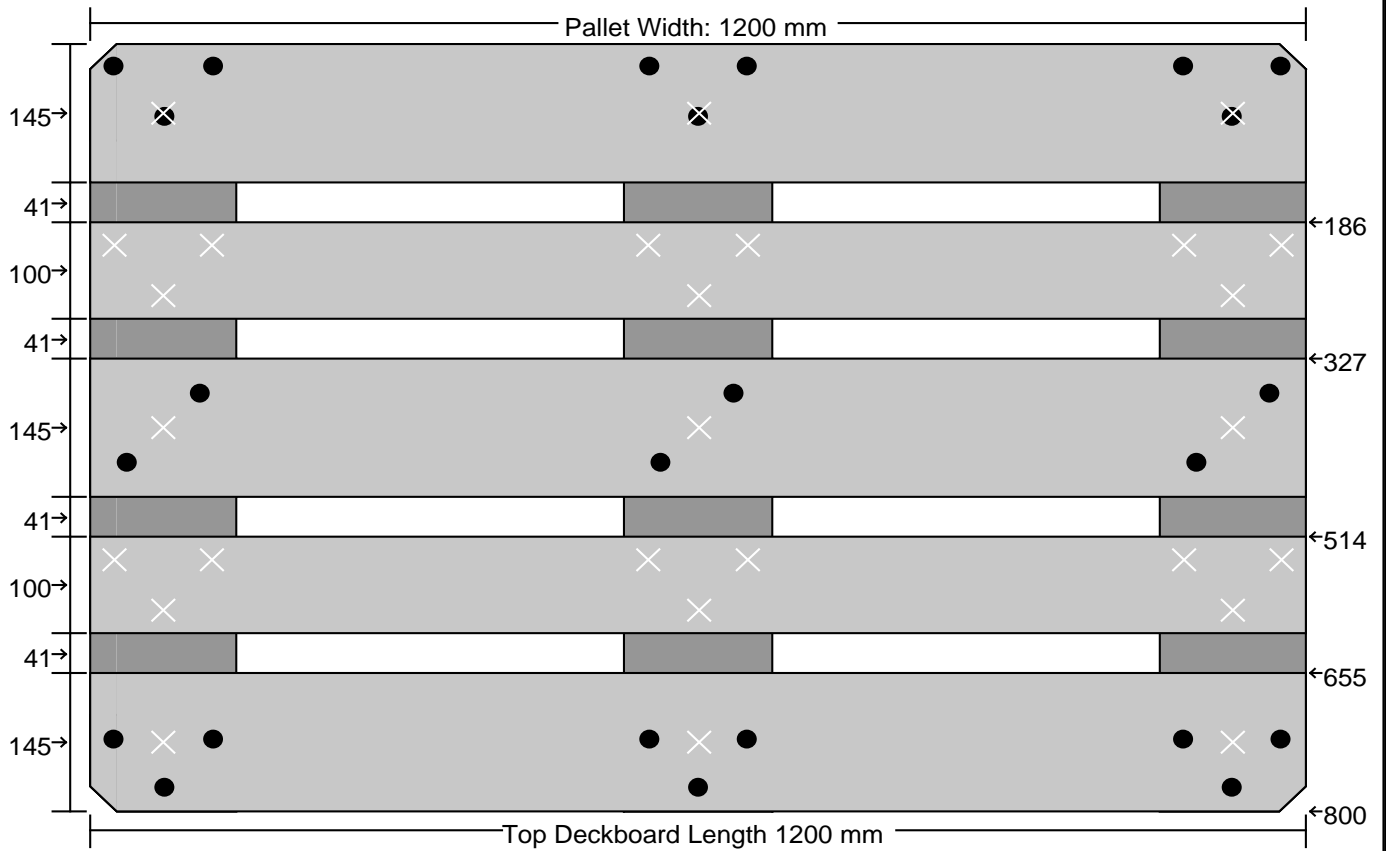
Address:

Date:

Pallet Information: 800 mm L x 1200 mm W, Weight - 24.0 kg Heat Treated, Single-Use

Pallet Description: 4way, DoubleFace, Non-reversible, Block pallet, Clipped Corners

Top Deckboards View





Prepared By: PALLETS RECYCLE DRWNG

Company: EPAL PALLET 1200X800X144MM

Analysis ID:

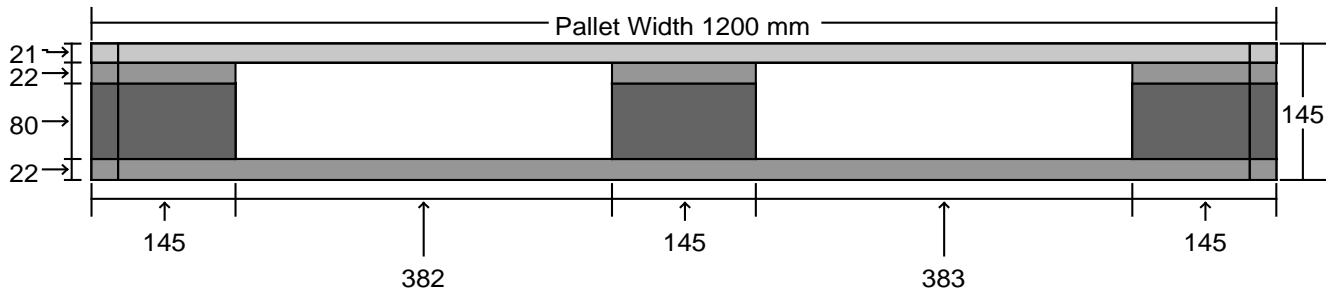
Address:

Date:

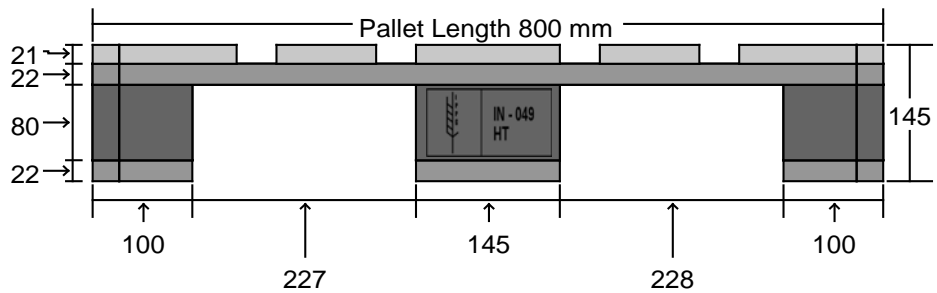
Pallet Information: 800 mm L x 1200 mm W, Weight - 24.0 kg Heat Treated, Single-Use

Pallet Description: 4way, DoubleFace, Non-reversible, Block pallet, Clipped Corners

End View



Side View





Prepared By: PALLETS RECYCLE DRWNG

Company: EPAL PALLET 1200X800X144MM

Analysis ID:

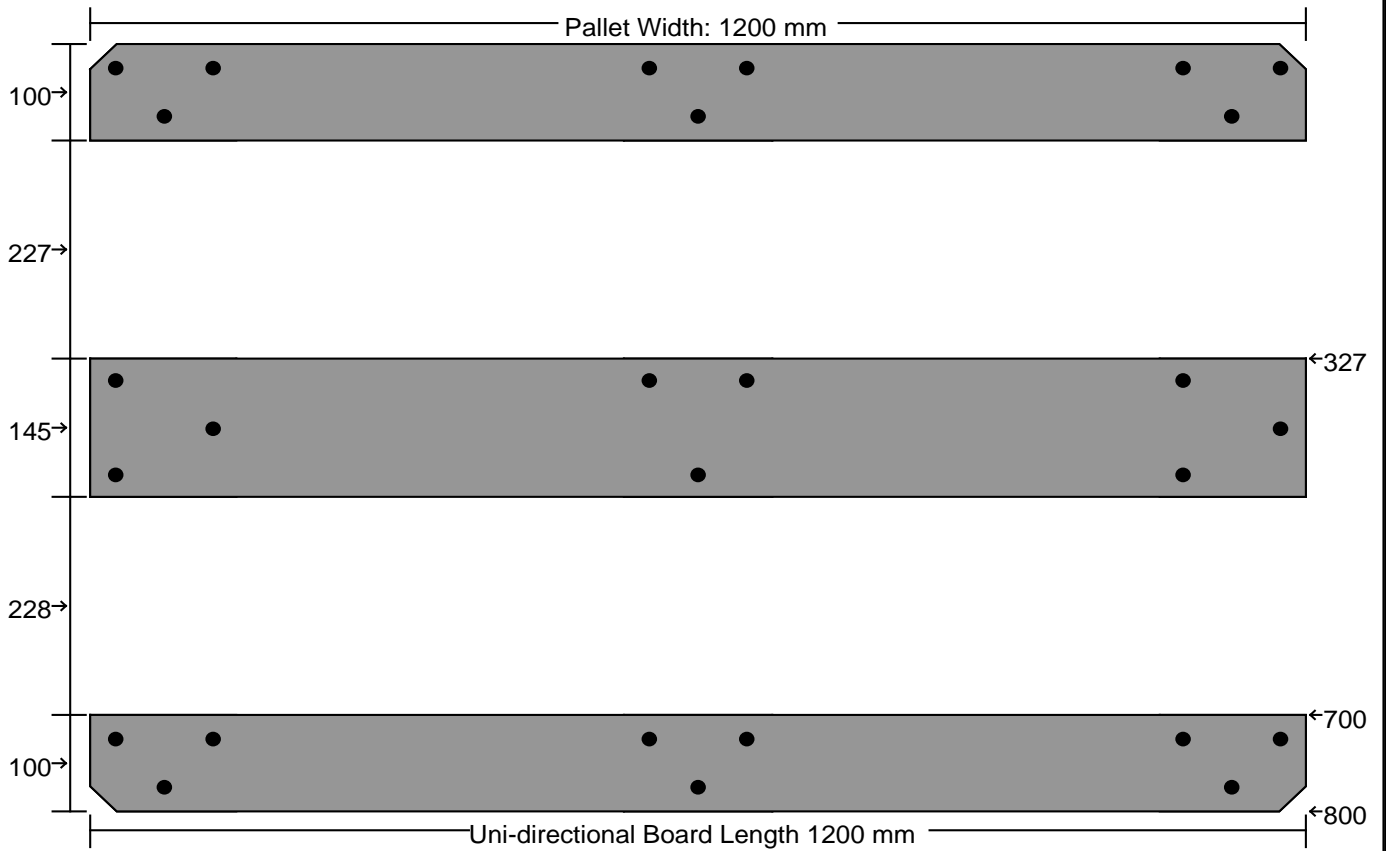
Address:

Date:

Pallet Information: 800 mm L x 1200 mm W, Weight - 24.0 kg Heat Treated, Single-Use

Pallet Description: 4way, DoubleFace , Non-reversible, Block pallet, Clipped Corners

Uni-directional Boards View





Prepared By: PALLETS RECYCLE DRWNG

Company: EPAL PALLET 1200X800X144MM

Analysis ID:

Address:

Date:

Pallet Information: 800 mm L x 1200 mm W, Weight - 24.0 kg Heat Treated, Single-Use

Pallet Description: 4way, DoubleFace , Non-reversible, Block pallet, Clipped Corners

